

WWW.NTFL-BPT.COM

NATIONAL



OEM Products
CORROSION RESISTANT UNITS

FEATURES

MATERIAL AND OPERATING TEMPERATURE

Description	Materials
HOUSING	SUS 304
BEARING INSERT	
SET SCREW	SUS 304
RETAINER	SUS 321
SLINGER & FRAME	SUS 321
INNER & OUTER RINGS	SUS 440C
BALLS	SUS 440C
GREASE NIPPLE	SUS 302
GREASE	
OPERATING TEMPERATURE	-20 C - 120 C



RECOMMENDED TIGHTENING TORQUE FOR SET SCREWS

Set Screw	Bearing No.	Tightening Torque (N-m)
M6 X 1	SUC204-206	3.9
M8 X 1	SUC207-209	8.3
M10 X 1	SUC210	16

TOLERANCES FOR BEARING INNER RINGS

Nominal Bore Dia. (mm)		Bore Diameter				Width		Radial run-out
		dm		d		B		
		Deviations		Deviations		Deviations		
Over	incl.	High	Low	High	Low	High	Low	max.
18	30	+21	0	+25	-40	0	-120	18
30	50	+25	0	+30	-5	0	-120	20

Unit: um



TYPICAL APPLICATIONS

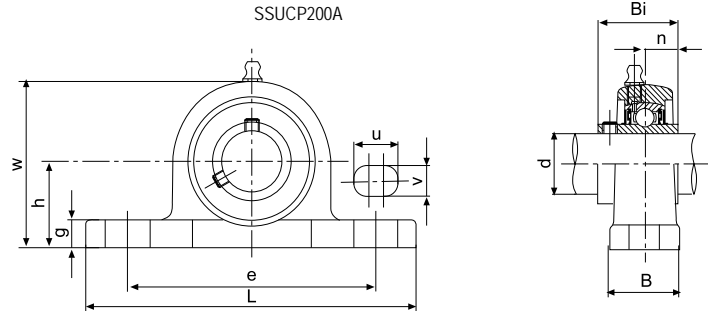
Food processing machinery • Medical equipment • Chemical machinery • Agricultural machinery and many applications that require cleanliness and rust prevention.

ASK FOR NATIONAL QUALITY

All pictures may differ from the final products.

Product availability and specifications are subject to change without notice.

STAINLESS PILLOW BLOCKS



SSUCP200A Series

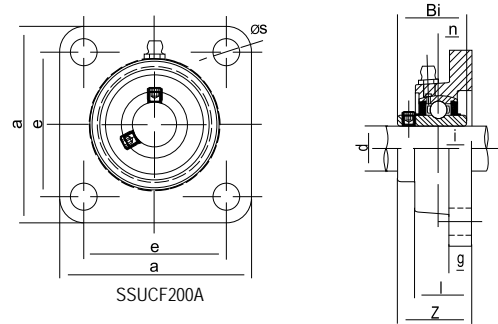
Unit No.	Shaft Dia.		Dimensions (mm)										Bearing No.	Housing No.	Weight kg
	d		h	L	e	B	v	u	g	w	Bi	n			
	(in)	(mm)													
SSUCP201-8AG	1/2		33.3	127	95	30	13	19	14	64	31	12.7	SUC201-8G	SP204A	0.66
SSUCP202-10AG	5/8												SUC202-10G		
SSUCP204AG		20											SUC204G		
SSUCP204-12AG	3/4												SUC204-12G		
SSUCP205-14AG	7/8		36.5	140	105	30	13	19	15	70	34.1	14.3	SUC205-14G	SP205A	0.78
SSUCP205-15AG	15/16												SUC205-15G		
SSUCP205AG		25											SUC205G		
SSUCP205-16AG	1												SUC205-16G		
SSUCP206-18AG	1-1/8		42.9	162	119	36	17	21	16	82	38.1	15.9	SUC206-18G	SP206A	1.24
SSUCP206-19AG	1-3/16												SUC206-19G		
SSUCP206AG		30											SUC206G		
SSUCP206-20AG	1-1/4S												SUC206-20G		
SSUCP207-20AG	1-1/4		47.6	168	127	38	17	21	17	92	42.9	17.5	SUC207-20G	SP207A	1.55
SSUCP207-22AG	1-3/8												SUC207-22G		
SSUCP207AG		35											SUC207G		
SSUCP207-23AG	1-7/16												SUC207-23G		
SSUCP208-24AG	1-1/2		49.2	184	137	40	17	21	18	98	49.2	19	SUC208-24G	SP208A	1.92
SSUCP208AG		40											SUC208G		
SSUCP209-28AG	1-3/4		54	192	146	40	17	21	20	105	49.2	19	SUC209-28G	SP209A	2.31
SSUCP209AG		45											SUC209G		
SSUCP210-31AG	1-15/16		57.2	206	159	45	20	22	22	112	51.6	19	SUC210-31G	SP210A	2.67
SSUCP210AG		50											SUC210G		
SSUCP210-32AG	2												SUC210-32G		
SSUCP211-32G	2		63.5	219	171	60	20	25	23	124	55.6	22.2	SUC211-32G	SP211	4.21
SSUCP212-39G	2-7/16		69.8	241	184	70	20	25	25	137	66.1	25.4	SUC212-39G	SP212	5.84

ASK FOR NATIONAL QUALITY

All pictures may differ from the final products.

Product availability and specifications are subject to change without notice.

STAINLESS 4-BOLT FLANGE



SSUCF200A Series

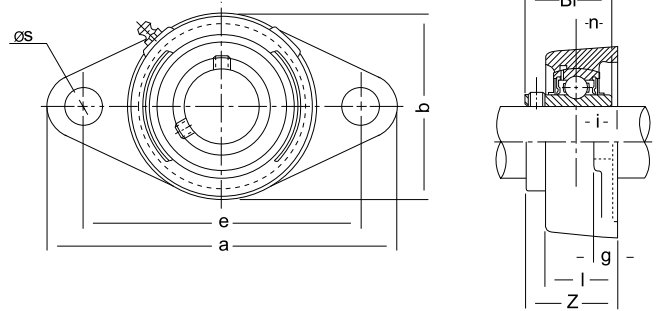
Unit No.	Shaft Dia.		Dimensions (mm)								Bearing No.	Housing No.	Weight kg	
	d		a	e	i	g	l	s	z	Bi				n
	(in)	(mm)												
SSUCF201-8AG	1/2		86	64	15	11	25.5	12	33.3	31	12.7	SUC201-8G	SF204A	0.66
SSUCF202-10AG	5/8											SUC202-10G		
SSUCF204AG		20										SUC204G		
SSUCF204-12AG	3/4											SUC204-12G		
SSUCF205-14AG	7/8		95	70	16	13	28	12	35.8	34.1	14.3	SUC205-14G	SF205A	0.92
SSUCF205-15AG	15/16											SUC205-15G		
SSUCF205AG		25										SUC205G		
SSUCF205-16AG	1											SUC205-16G		
SSUCF206-18AG	1-1/8		108	83	18	13	31	12	40.2	38.1	15.9	SUC206-18G	SF206A	1.33
SSUCF206-19AG	1-3/16											SUC206-19G		
SSUCF206AG		30										SUC206G		
SSUCF206-20AG	1-1/4S											SUC206-20G		
SSUCF207-20AG	1-1/4		117	92	19	15	34	14	44.4	42.9	17.5	SUC207-20G	SF207A	1.75
SSUCF207-22AG	1-3/8											SUC207-22G		
SSUCF207AG		35										SUC207G		
SSUCF207-23AG	1-7/16											SUC207-23G		
SSUCF208-24AG	1-1/2		130	102	21	15	36	16	51.2	49.2	19	SUC208-24G	SF208A	2.17
SSUCF208AG		40										SUC208G		
SSUCF209-28AG	1-3/4		137	105	22	16	38	16	52.2	49.2	19	SUC209-28G	SF209A	2.56
SSUCF209AG		45										SUC209G		
SSUCF210-31AG	1-15/16		143	111	22	16	40	16	54.6	51.6	19	SUC210-31G	SF210A	2.8
SSUCF210AG		50										SUC210G		
SSUCF210-32AG	2											SUC210-32G		
SSUCF211-32G	2		162	130	25	18	43	19	58.4	55.6	22.2	SUC211-32G	SF211	4.2

ASK FOR NATIONAL QUALITY

All pictures may differ from the final products.

Product availability and specifications are subject to change without notice.

STAINLESS 2-BOLT FLANGE



SSUCFL200A Series

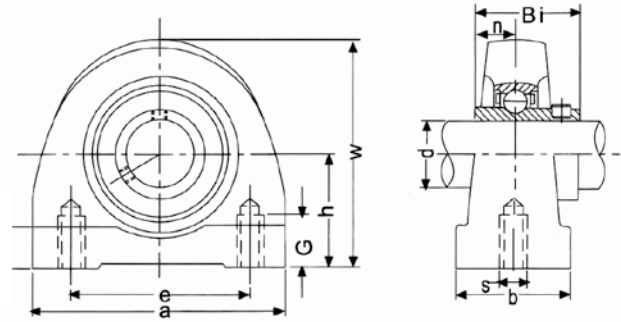
Unit No.	Shaft Dia.		Dimensions (mm)										Bearing No.	Housing No.	Weight kg
	d		a	e	i	g	l	s	z	b	Bi	n			
	(in)	(mm)													
SSUCFL201-8AG	1/2		113	90	15	11	27	12	33.3	60	31	12.7	SUC201-8G	SFL204A	0.47
SSUCFL202-10AG	5/8												SUC202-10G		
SSUCFL204AG		20											SUC204G		
SSUCFL204-12AG	3/4												SUC204-12G		
SSUCFL205-14AG	7/8		131	99	16	13	28	16	35.7	68	34.1	14.3	SUC205-14G	SFL205A	0.66
SSUCFL205-15AG	1-5/16												SUC205-15G		
SSUCFL205AG		25											SUC205G		
SSUCFL205-16AG	1												SUC205-16G		
SSUCFL206-18AG	1-1/8		148	117	18	13	31	16	40.2	79	38.1	15.9	SUC206-18G	SFL206A	0.95
SSUCFL206-19AG	1-3/16												SUC206-19G		
SSUCFL206AG		30											SUC206G		
SSUCFL206-20AG	1-1/4S												SUC206-20G		
SSUCFL207-20AG	1-1/4		164	130	19	14	34	16	44.4	90	42.9	17.5	SUC207-20G	SFL207A	1.28
SSUCFL207-22AG	1-3/8												SUC207-22G		
SSUCFL207AG		35											SUC207G		
SSUCFL207-23AG	1-7/16												SUC207-23G		
SSUCFL208-24AG	1-1/2		175	144	21	15	36	16	51.2	100	49.2	19	SUC208-24G	SFL208A	1.64
SSUCFL208AG		40											SUC208G		
SSUCFL209-28AG	1-3/4		187	148	22	16	38	19	52.2	108	42.9	19	SUC209-28G	SFL209A	2.02
SSUCFL209AG		45											SUC209G		
SSUCFL210-31AG	1-15/16		195	157	22	16	40	19	54.6	115	51.6	19	SUC210-31G	SFL210A	2.32
SSUCFL210AG		50											SUC210G		
SSUCFL210-32AG	2												SUC210-32G		

ASK FOR NATIONAL QUALITY

All pictures may differ from the final products.

Product availability and specifications are subject to change without notice.

STAINLESS TAPPED BASE



SSUCPA200A Series

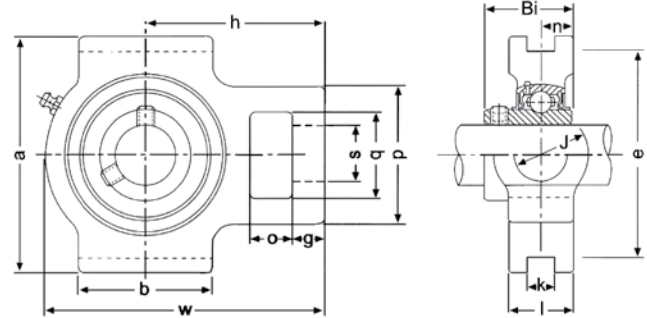
Unit No.	Shaft Dia.		Dimensions (mm)								Bearing No.	Housing No.	Weight kg	
	d		h	a	e	b	G	s	w	Bi				n
	(in)	(mm)												
SSUCPA201-8AG	1/2		33.3	73	50.8	38	13	3/8-16	65	31	12.7	SUC201-8G	SPA204A	0.68
SSUCPA202-10AG	5/8											SUC202-10G		
SSUCPA204AG		20										SUC204G		
SSUCPA204-12AG	3/4											SUC204-12G		
SSUCPA205-14AG	7/8		36.5	76	50.8	38	13	3/8-16	71	34.1	14.3	SUC205-14G	SPA205A	0.85
SSUCPA205-15AG	1-5/16											SUC205-15G		
SSUCPA205AG		25										SUC205G		
SSUCPA205-16AG	1											SUC205-16G		
SSUCPA206-18AG	1-1/8		42.9	102.0	76.2	38	16	7/16-14	86	38.1	15.9	SUC206-18G	SPA206A	1.1
SSUCPA206-19AG	1-3/16											SUC206-19G		
SSUCPA206AG		30										SUC206G		
SSUCPA206-20AG	1-1/4S											SUC206-20G		
SSUCPA207-20AG	1-1/4		47.6	108	82.6	48	19	1/2-13	95	42.9	17.5	SUC207-20G	SPA207A	1.43
SSUCPA207-22AG	1-3/8											SUC207-22G		
SSUCPA207AG		35										SUC207G		
SSUCPA207-23AG	1-7/16											SUC207-23G		
SSUCPA208-24AG	1-1/2		49.2	117	88.9	48	19	1/2-13	100	49.2	19	SUC208-24G	SPA208A	1.8
SSUCPA208AG		40										SUC208G		
SSUCPA209-28AG	1-3/4		54	127	95.3	51	19	1/2-13	108	42.9	19	SUC209-28G	SPA209A	2.5
SSUCPA209AG		45										SUC209G		
SSUCPA210-31AG	1-15/16		57.2	140	101.6	51	22.0	5/8-11	117	51.6	19	SUC210-31G	SPA210A	3.1
SSUCPA210AG		50										SUC210G		
SSUCPA210-32AG	2											SUC210-32G		

ASK FOR NATIONAL QUALITY

All pictures may differ from the final products.

Product availability and specifications are subject to change without notice.

STAINLESS TAKE-UP



SSUCT200 Series

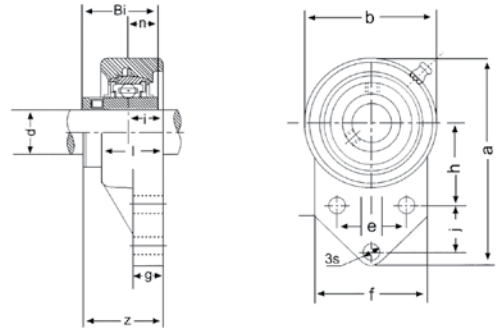
Unit No.	Shaft Dia.		Dimensions (mm)														Bearing No.	Housing No.	Weight kg	
	d		o	g	p	q	s	b	k	e	a	w	J	l	h	Bi				n
	(in)	(mm)																		
SSUCT201-8G	1/2		16	10	51	32	19	51	12	76	89	94	32	21	61	31	12.7	SUC201-8G	SST204	0.83
SSUCT202-10G	5/8																	SUC202-10G		
SSUCT204G		20																SUC204G		
SSUCT204-12G	3/4																	SUC204-12G		
SSUCT205-14G	7/8		16	10	51	32	19	51	12	76	89	97	32	24	62	34.1	14.3	SUC205-14G	SST205	0.89
SSUCT205-15G	15/16																	SUC205-15G		
SSUCT205G		25																SUC205G		
SSUCT205-16G	1																	SUC205-16G		
SSUCT206-18G	1-1/8		16	10	56	37	22	57	12	89	102	113	37	28	70	38.1	15.9	SUC206-18G	SST206	1.32
SSUCT206-19G	1-3/16																	SUC206-19G		
SSUCT206G		30																SUC206G		
SSUCT206-20G	1-1/4S																	SUC206-20G		
SSUCT207-20G	1-1/4		16	13	64	37	22	64	12	89	102	129	37	30	78	42.9	17.5	SUC207-20G	SST207	1.77
SSUCT207-22G	1-3/8																	SUC207-22G		
SSUCT207G		35																SUC207G		
SSUCT207-23G	1-7/16																	SUC207-23G		
SSUCT208-24G	1-1/2		19	16	83	37	22	83	16	102	114	144	49	33	88	49.2	19	SUC208-24G	SST208	2.58
SSUCT208G		40																SUC208G		
SSUCT209-28G	1-3/4		19	16	83	39	29	83	16	114	117	144	49	35	87	49.2	19	SUC209-28G	SST209	2.66
SSUCT209G		45																SUC209G		
SSUCT210-31G	1-15/16		19	16	83	49	29	86	16	117	117	149	49	37	90	51.6	19	SUC210-31G	SST210	2.77
SSUCT210G		50																SUC210G		
SSUCT210-32G	2																	SUC210-32G		

ASK FOR NATIONAL QUALITY

All pictures may differ from the final products.

Product availability and specifications are subject to change without notice.

STAINLESS 3-BOLT FLANGE



SSUCFB200 Series

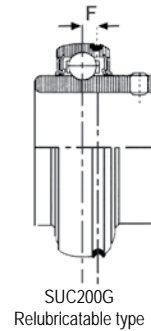
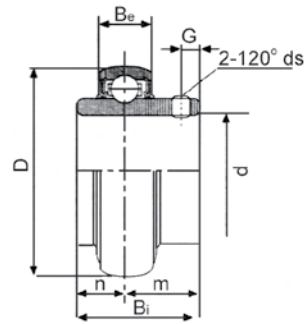
Unit No.	Shaft Dia.		Dimensions (mm)												Bearing No.	Housing No.	Weight kg	
	d		a	h	e	j	i	g	l	s	b	f	z	Bi				n
	(in)	(mm)																
SSUCFB201-8G	1/2		108	42.9	38.1	22.2	15.9	9.5	25.4	10	63.5	60.3	34.2	31	12.7	SUC201-8G	SFB204	0.62
SSUCFB202-10G	5/8															SUC202-10G		
SSUCFB204G		20														SUC204G		
SSUCFB204-12G	3/4															SUC204-12G		
SSUCFB205-14G	7/8		120.7	46	41.6	28.6	16.7	11.1	29.4	10	69.1	63.5	36.5	34.1	14.3	SUC205-14G	SFB205	0.69
SSUCFB205-15G	15/16															SUC205-15G		
SSUCFB205G		25														SUC205G		
SSUCFB205-16G	1															SUC205-16G		
SSUCFB206-18G	1-1/8		136.5	52.4	47.6	31.8	18.7	11.1	33.3	10	82.6	70	40.9	38.1	15.9	SUC206-18G	SFB206	0.93
SSUCFB206-19G	1-3/16															SUC206-19G		
SSUCFB206G		30														SUC206G		
SSUCFB206-20G	1-1/4S															SUC206-20G		
SSUCFB207-20G	1-1/4		155.6	60.3	50.8	31.8	21	14.3	37.3	13	94.5	82.6	46.4	42.9	17.5	SUC207-20G	SFB207	1.3
SSUCFB207-22G	1-3/8															SUC207-22G		
SSUCFB207G		35														SUC207G		
SSUCFB207-23G	1-7/16															SUC207-23G		

ASK FOR NATIONAL QUALITY

All pictures may differ from the final products.

Product availability and specifications are subject to change without notice.

INSERTS



SL TYPE SEAL

SUC200 Series

Bearing No.	Shaft Dia.		Dimensions (mm)								Basic Load Ratings (Kn)		Weight kg	
	d		D	Bi	Be	n	m	G	ds		F	Dynamic C		Static Co
	(in)	(mm)							(mm)	(inch)				
SUC201-8G	1/2		47	31	17	12.7	18.3	5	M6-1.0	1/4-28	4.3	9.88	6.20	0.16
SUC202-10G	5/8									1/4-28				
SUC204G		20												
SUC204-12G	3/4									1/4-28				
SUC205G		25	52	34.1	17	14.3	19.8	5.4	M8-1.0	1/4-28	4	10.78	6.98	0.18
SUC205-14G	7/8									1/4-28				
SUC205-15G	1-5/16									1/4-28				
SUC205-16G	1									1/4-28				
SUC206G		30	62	38.1	19	15.9	22.2	5.5	M6-1.0	1/4-28	5.3	14.97	10.04	0.33
SUC206-18G	1-1/8									1/4-28				
SUC206-19G	1-3/16									1/4-28				
SUC206-20G	1-1/4									1/4-28				
SUC207G		35	72	42.9	20	17.5	25.4	6.9	M8-1.0	5/16-24	5.8	19.75	13.67	0.49
SUC207-20G	1-1/4									5/16-24				
SUC207-22G	1-3/8									5/16-24				
SUC207-23G	1-7/16									5/16-24				
SUC208G		40	80	49.2	21	19.0	30.2	8	M8-1.0	5/16-24	6.2	22.71	15.94	0.65
SUC208-24G	1-1/2									5/16-24				
SUC209G		45	85	49.2	22	19.0	30.2	8	M8-1.0	5/16-24	6.5	24.36	17.71	0.71
SUC209-26G	1-5/8									5/16-24				
SUC209-27G	1-11/16									5/16-24				
SUC209-28G	1-3/4									5/16-24				
SUC210G		50	90	51.6	24	19.0	32.6	10	M10-1.25	3/8-24	7	26.98	19.84	0.8
SUC210-31G	1-15/16									3/8-24				
SUC210-32G	2									3/8-24				
SUC211-32G	2		100	55.6	25	22.2	33.4	10		3/8-24	7.4	33.37	25.11	1.08

ASK FOR NATIONAL QUALITY

All pictures may differ from the final products.

Product availability and specifications are subject to change without notice.

FEATURES

NATIONAL Thermoplastic housings

- Are specially designed to meet particular engineering demands for food, beverage and chemical industries.
- Have stainless steel bearing inserts for maximum corrosion resistance.
- Are non-magnetic.
- Are packed with food grade grease.
- Are recommended for these applications:

Frequent washdowns
Corrosion resistance
Exposure to harsh chemicals
Exposure to high humidity
Regreasable fittings
Operating temperature -35 C to 102 C



- Are designed for these industries:

Food processing
Canning
Bottling
Pharmaceutical industry
Chemical processing
Photo industry...

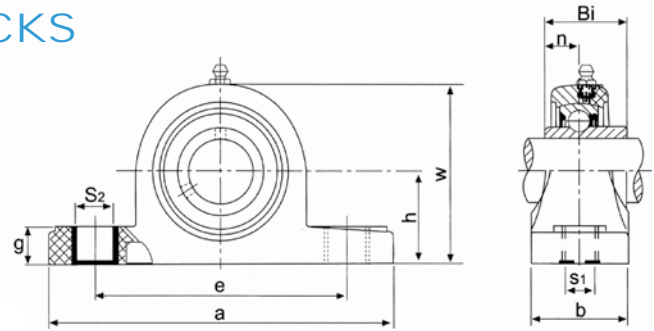


ASK FOR NATIONAL QUALITY

All pictures may differ from the final products.

Product availability and specifications are subject to change without notice.

THERMOPLASTIC PILLOW BLOCKS



TP-SUCP200 Series

Unit No.	Shaft Dia.		Dimensions (mm)									Bearing No.	Housing No.	Weight kg	
	d		h	a	e	b	S1	S2	w	g	Bi				n
	(in)	(mm)													
TP-SUCP201-8G	1/2		33.3	127	95	38	11	14	14.2	65.5	31	12.7	SUC201-8G	TP-P204	0.32
TP-SUCP202-10G	5/8												SUC202-10G		
TP-SUCP204G		20											SUC204G		
TP-SUCP204-12G	3/4												SUC204-12G		
TP-SUCP205-14G	7/8		36.5	140	105	38	11	14	14.5	71	34.1	14.3	SUC205-14G	TP-P205	0.32
TP-SUCP205-15G	15/16												SUC205-15G		
TP-SUCP205G		25											SUC205G		
TP-SUCP205-16G	1												SUC205-16G		
TP-SUCP206-18G	1-1/8		42.9	162	119	46	14	18	17.8	84	38.1	15.9	SUC206-18G	TP-P206	0.58
TP-SUCP206-19G	1-3/16												SUC206-19G		
TP-SUCP206G		30											SUC206G		
TP-SUCP206-20G	1-1/4S												SUC206-20G		
TP-SUCP207-20G	1-1/4		47.6	168	127	48	14	18	18	94.5	42.9	17.5	SUC207-20G	TP-P207	0.78
TP-SUCP207-22G	1-3/8												SUC207-22G		
TP-SUCP207G		35											SUC207G		
TP-SUCP207-23G	1-7/16												SUC207-23G		
TP-SUCP208-24G	1-1/2		49.2	184	137	54	14	18	19.5	99	49.2	19	SUC208-24G	TP-P208	0.98
TP-SUCP208G		40											SUC208G		
TP-SUCP209-28G	1-3/4		54	192	146	54	17	20	23	106	49.2	19	SUC209-28G	TP-P209	1.09
TP-SUCP209G		45											SUC209G		
TP-SUCP210-31G	1-15/16		57.2	206	159	60	17	20	23	114	51.6	19	SUC210-31G	TP-P210	1.26
TP-SUCP210G		50											SUC210G		
TP-SUCP210-32G	2												SUC210-32G		
TP-SUCP211-32G	2		63.5	217	172	60	17	20	22	122	55.6	22.2	SUC211-32G	TP-211	1.60

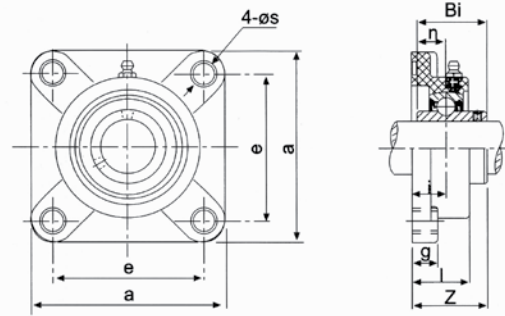
LOAD DIRECTION	BREAKING POINT OF HOUSING (N)						
	204	205	206	207	208	209	210
	10930	11016	11959	12750	13100	13360	13850
	12734	8065	9789	12750	11100	11400	11750
	5610	4630	7816	7500	8500	8950	9550

ASK FOR NATIONAL QUALITY

All pictures may differ from the final products.

Product availability and specifications are subject to change without notice.

THERMOPLASTIC 4-BOLT FLANGE



TP-SUCF200 Series

Unit No.	Shaft Dia.		Dimensions (mm)									Bearing No.	Housing No.	Weight kg
	d		a	e	g	l	s	z	i	Bi	n			
	(in)	(mm)												
TP-SUCF201-8G	1/2		86	63.5	13.4	27.8	11	36.3	18	31	12.7	SUC201-8G	TP-F204	0.3
TP-SUCF202-10G	5/8											SUC202-10G		
TP-SUCF204G		20										SUC204G		
TP-SUCF204-12G	3/4											SUC204-12G		
TP-SUCF205-14G	7/8		95	70	14	28	11	36.8	17	34.1	14.3	SUC205-14G	TP-F205	0.31
TP-SUCF205-15G	15/16											SUC205-15G		
TP-SUCF205G		25										SUC205G		
TP-SUCF205-16G	1											SUC205-16G		
TP-SUCF206-18G	1-1/8		107	83	14.3	31.5	11	41.2	19	38.1	15.9	SUC206-18G	TP-F206	0.53
TP-SUCF206-19G	1-3/16											SUC206-19G		
TP-SUCF206G		30										SUC206G		
TP-SUCF206-20G	1-1/4S											SUC206-20G		
TP-SUCF207-20G	1-1/4		118	92	15.5	34.8	13	46.9	21.5	42.9	17.5	SUC207-20G	TP-F207	0.74
TP-SUCF207-22G	1-3/8											SUC207-22G		
TP-SUCF207G		35										SUC207G		
TP-SUCF207-23G	1-7/16											SUC207-23G		
TP-SUCF208-24G	1-12		130	102	17	37.5	14	53.2	23	49.2	19	SUC208-24G	TP-F208	0.98
TP-SUCF208G		40										SUC208G		
TP-SUCF209-28G	1-3/4		137	105	19	41	17	54.2	24	49.2	19	SUC209-28G	TP-F209	1.11
TP-SUCF209G		45										SUC209G		
TP-SUCF210-31G	1-15/16		143	111	21	43	17	57.6	25	51.6	19	SUC210-31G	TP-F210	1.25
TP-SUCF210G		50										SUC210G		
TP-SUCF210-32G	2											SUC210-32G		
TP-SUCF211-32G	2		162	130	19	43	17	58.4	25	55.6	22.2	SUC211-32G	TP-F211	1.68

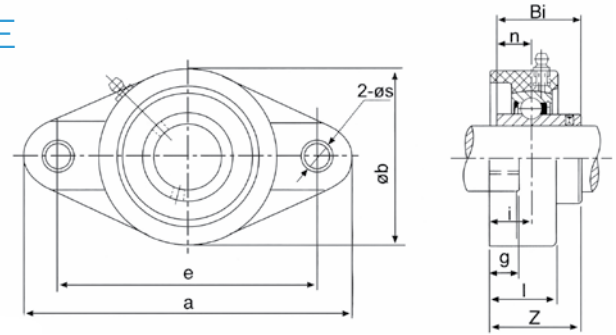
LOAD DIRECTION	BREAKING POINT OF HOUSING (N)						
	204	205	206	207	208	209	210
	26843	32628	37259	4078	4215	4357	4561
	25889	20111	19030	4159	4328	4531	4632
	4670	6596	8059	791	852	901	960

ASK FOR NATIONAL QUALITY

All pictures may differ from the final products.

Product availability and specifications are subject to change without notice.

THERMOPLASTIC 2-BOLT FLANGE



TP-SUCFL200 Series

Unit No.	Shaft Dia.		Dimensions (mm)										Bearing No.	Housing No.	Weight kg
	d		a	e	b	g	l	s	z	i	Bi	n			
	(in)	(mm)													
TP-SUCFL201-8G	1/2		113	90	65	11.4	26.5	11	33.7	15.4	31	12.7	SUC201-8G	TP-FL204	0.24
TP-SUCFL202-10G	5/8												SUC202-10G		
TP-SUCFL204G		20											SUC204G		
TP-SUCFL204-12G	3/4												SUC204-12G		
TP-SUCFL205-14G	7/8		131	99	69.5	13.5	29.1	11	36.7	17	34.1	14.3	SUC205-14G	TP-FL205	0.29
TP-SUCFL205-15G	15/16												SUC205-15G		
TP-SUCFL205G		25											SUC205G		
TP-SUCFL205-16G	1												SUC205-16G		
TP-SUCFL206-18G	1-1/8		148	117	80	13.3	30.5	11	41.2	19	38.1	15.9	SUC206-18G	TP-FL206	0.47
TP-SUCFL206-19G	1-3/16												SUC206-19G		
TP-SUCFL206G		30											SUC206G		
TP-SUCFL206-20G	1-1/4S												SUC206-20G		
TP-SUCFL207-20G	1-1/4		164	130	90	16.1	32.8	13	43.4	18	42.9	17.5	SUC207-20G	TP-FL207	0.71
TP-SUCFL207-22G	1-3/8												SUC207-22G		
TP-SUCFL207G		35											SUC207G		
TP-SUCFL207-23G	1-7/16												SUC207-23G		
TP-SUCFL208-24G	1-1/2		176	144	100	20	37.5	14	51.7	21.5	49.2	19	SUC208-24G	TP-FL208	0.91
TP-SUCFL208G		40											SUC208G		
TP-SUCFL209-28G	1-3/4		188.5	148.5	106	21	41	17	54.2	24	42.9	19	SUC209-28G	TP-FL209	1.04
TP-SUCFL209G		45											SUC209G		
TP-SUCFL210-31G	1-15/16		197	157	115	21	43	17	57.6	25	51.6	19	SUC210-31G	TP-FL210	1.17
TP-SUCFL210G		50											SUC210G		
TP-SUCFL210-32G	2												SUC210-32G		
TP-SUCFL211-32G	2		224	184	130	18	43	17	58.4	25.0	55.6	22.2	SUC211-32G	TP-FL211	1.50

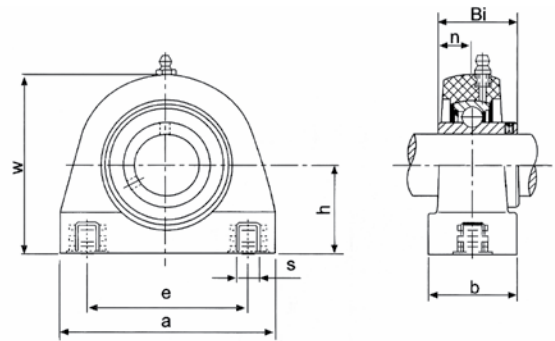
LOAD DIRECTION	BREAKING POINT OF HOUSING (N)						
	204	205	206	207	208	209	210
	10872	12554	18224	16900	17213	17600	17950
	10590	15093	16826	14900	15150	15350	15650
	6584	5314	5633	6000	6510	6940	7590

ASK FOR NATIONAL QUALITY

All pictures may differ from the final products.

Product availability and specifications are subject to change without notice.

THERMOPLASTIC TAPPED BASE



TP-SUCTB200 Series

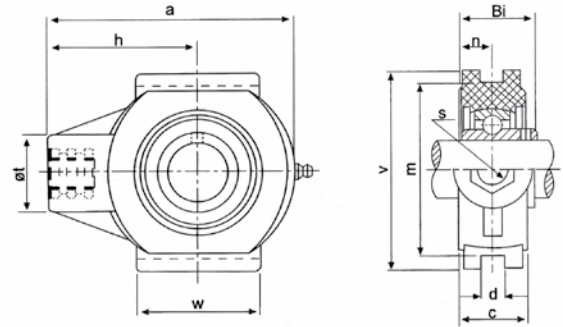
Unit No.	Shaft Dia.		Dimensions (mm)							Bearing No.	Housing No.	Weight kg	
	d		h	b	w	e	a	s	Bi				n
	(in)	(mm)											
TP-SUCTB201-8G	1/2		33.3	34.5	66	50.8	73	3/8-16	31	12.7	SUC201-8G	TP-TB204	0.27
TP-SUCTB202-10G	5/8										SUC202-10G		
TP-SUCTB204G		20									SUC204G		
TP-SUCTB204-12G	3/4										SUC204-12G		
TP-SUCTB205-14G	7/8		36.5	39.7	73.4	50.8	76.2	3/8-16	34.1	14.3	SUC205-14G	TP-TB205	0.3
TP-SUCTB205-15G	15/16										SUC205-15G		
TP-SUCTB205G		25									SUC205G		
TP-SUCTB205-16G	1										SUC205-16G		
TP-SUCTB206-18G	1-1/8		42.9	42.5	84	76.2	101.6	7/16-14	38.1	15.9	SUC206-18G	TP-TB206	0.52
TP-SUCTB206-19G	1-3/16										SUC206-19G		
TP-SUCTB206G		30									SUC206G		
TP-SUCTB206-20G	1-1/4S										SUC206-20G		
TP-SUCTB207-20G	1-1/4		47.6	47.6	95	82.6	111	1/2-13	42.9	17.5	SUC207-20G	TP-TB207	0.71
TP-SUCTB207-22G	1-3/8										SUC207-22G		
TP-SUCTB207G		35									SUC207G		
TP-SUCTB207-23G	1-7/16										SUC207-23G		
TP-SUCTB208-24G	1-1/2		49.2	47.6	100.4	88.9	120	1/2-13	49.2	19	SUC208-24G	TP-TB208	0.9
TP-SUCTB208G		40									SUC208G		
TP-SUCTB209-28G	1-3/4		54	50	108.5	95.3	124	1/2-13	42.9	19	SUC209-28G	TP-TB209	1.04
TP-SUCTB209G		45									SUC209G		
TP-SUCTB210-31G	1-15/16		57.2	54	115	101.6	135	5/8-11	51.6	19	SUC210-31G	TP-TB210	1.23
TP-SUCTB210G		50									SUC210G		
TP-SUCTB210-32G	2										SUC210-32G		

ASK FOR NATIONAL QUALITY

All pictures may differ from the final products.

Product availability and specifications are subject to change without notice.

THERMOPLASTIC TAKE-UP



TP-SUCT200 Series

Unit No.	Shaft Dia.		Dimensions (mm)										Bearing No.	Housing No.	Weight kg	
	d (in)	d (mm)	a	c	d	h	m	s	t	v	w	Bi				n
TP-SUCT201-8G	1/2		99	27.5	12	64	76	M16	36	88	47	31	12.7	SUC201-8G	TP-T204	0.32
TP-SUCT202-10G	5/8													SUC202-10G		
TP-SUCT204G		20												SUC204G		
TP-SUCT204-12G	3/4													SUC204-12G		
TP-SUCT205-14G	7/8		99	27.5	12	64	76	M16	36	88	47	34.1	14.3	SUC205-14G	TP-T205	0.32
TP-SUCT205-15G	15/16													SUC205-15G		
TP-SUCT205G		25												SUC205G		
TP-SUCT205-16G	1													SUC205-16G		
TP-SUCT206-18G	1-1/8		125	34.5	12	76	89	M16	40	101.4	63	38.1	15.9	SUC206-18G	TP-T206	0.59
TP-SUCT206-19G	1-3/16													SUC206-19G		
TP-SUCT206G		30												SUC206G		
TP-SUCT206-20G	1-1/4S													SUC206-20G		
TP-SUCT207-20G	1-1/4		125	34.5	12	76	89	M16	40	101.4	63	42.9	17.5	SUC207-20G	TP-T207	0.73
TP-SUCT207-22G	1-3/8													SUC207-22G		
TP-SUCT207G		35												SUC207G		
TP-SUCT207-23G	1-7/16													SUC207-23G		
TP-SUCT208-24G	1-1/2		140	34.5	16	85	102	M16	40	113.6	80	49.2	19	SUC208-24G	TP-T208	0.96
TP-SUCT208G		40												SUC208G		
TP-SUCT209-28G	1-3/4		149	40	16	90	102	M20	50	117	85	49.2	19	SUC209-28G	TP-T209	1.12
TP-SUCT209G		45												SUC209G		
TP-SUCT210-31G	1-15/16		149	40	16	90	102	M20	50	117	85	51.6	19	SUC210-31G	TP-T210	1.18
TP-SUCT210G		50												SUC210G		
TP-SUCT210-32G	2													SUC210-32G		

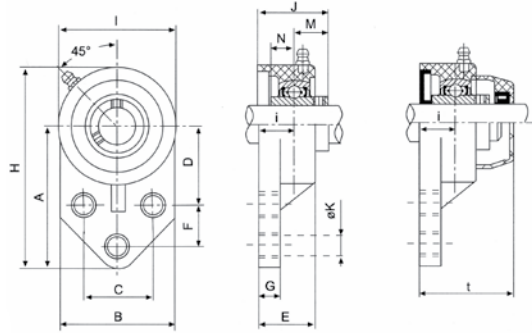
LOAD DIRECTION	BREAKING POINT OF HOUSING (N)						
	204	205	206	207	208	209	210
	14800	15500	15800	16500	17300	18210	18860
	3930	4530	5100	6500	7800	8710	9750
	8500	10350	10900	11300	12150	12900	13550
	40770	45300	46100	44100	42800	44230	44880

ASK FOR NATIONAL QUALITY

All pictures may differ from the final products.

Product availability and specifications are subject to change without notice.

THERMOPLASTIC 3-BOLT FLANGE



TP-SUCFB200 Series

Unit No.	Shaft Dia.		Dimensions (mm)												Bearing No.	Housing No.	Weight kg	
	d		A	B	C	D	E	F	G	H	I	J	K	M				N
	(in)	(mm)																
TP-SUCFB201-8G	1/2		76.2	62	38.1	42.9	31.2	22.2	11.4	108	63.5	38	10.7	18.3	12.7	SUC201-8G	TP-FB204	0.26
TP-SUCFB202-10G	5/8															SUC202-10G		
TP-SUCFB204G		20														SUC204G		
TP-SUCFB204-12G	3/4															SUC204-12G		
TP-SUCFB205-14G	7/8		85.7	63.5	41.3	46	32.8	28.6	11.4	120.6	70	41.1	10.7	19.8	14.3	SUC205-14G	TP-FB205	0.3
TP-SUCFB205-15G	15/16															SUC205-15G		
TP-SUCFB205G		25														SUC205G		
TP-SUCFB205-16G	1															SUC205-16G		
TP-SUCFB206-18G	1-1/8		96.5	76	47.6	52.4	35.4	31.8	13.3	138.5	83	47.6	10.7	22.2	15.9	SUC206-18G	TP-FB206	0.46
TP-SUCFB206-19G	1-3/16															SUC206-19G		
TP-SUCFB206G		30														SUC206G		
TP-SUCFB206-20G	1-1/4S															SUC206-20G		
TP-SUCFB207-20G	1-1/4		109.5	89	50.8	60.3	37.5	31.8	16.1	157	95	50.8	13.1	25.4	17.5	SUC207-20G	TP-FB207	0.66
TP-SUCFB207-22G	1-3/8															SUC207-22G		
TP-SUCFB207G		35														SUC207G		
TP-SUCFB207-23G	1-7/16															SUC207-23G		
TP-SUCFB208-24G	1-12		126.5	99	54	67.3	39.5	35.5	18.5	178	103	54	13.1	30.2	19	SUC208-24G	TP-FB208	0.9
TP-SUCFB208G		40														SUC208G		

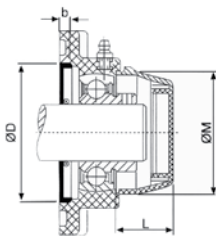
LOAD DIRECTION	BREAKING POINT OF HOUSING (N)			
	204	205	206	207
	7200	9100	12200	12900
	9200	11100	11800	11900
	2600	2800	2900	3100

ASK FOR NATIONAL QUALITY

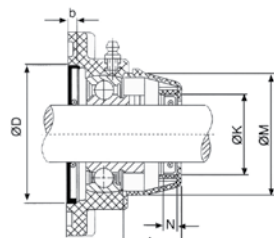
All pictures may differ from the final products.

Product availability and specifications are subject to change without notice.

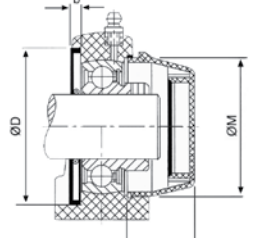
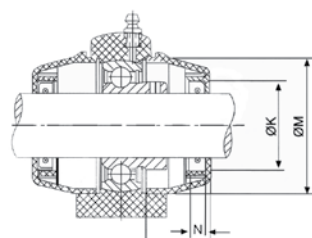
PLASTIC COVERS: OPEN/CLOSE TYPE (OC/CC)



Flange Units



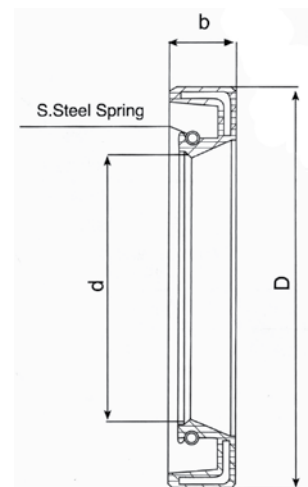
Pillow Block Units



Shaft Diameter		Dimensions (mm)					
mm	inch	K	N	L	M	D	b
12	1/2	32	7	23	50	52	6
15	9/16, 5/8	32	7	23	50	52	6
17	11/16	32	7	23	50	52	6
20	3/4	32	7	23	50	52	6
25	13/16, 7/8, 15/16, 1	37	7	25	55	62	6
30	1 1/16, 1 1/8, 1 3/16, 1 1/4	42	7	30	64	72	6
35	1 1/4, 1 15/16, 1 3/8, 1 7/16	47	7	32	74.5	82	6
40	1 1/2, 1 9/16	52	7	37	84	88	6
45	1 5/8, 1 11/16, 1 3/4	57	7	41	89	93	6
50	1 13/16, 1 7/8, 1 15/16, 2	62	7	47	94	98	6

BACK SEAL

Size	P - T - TB			F - FL - FB		
	d	b	D	d	b	D
BS204	20	3	52	20	6	52
BS205	25	3	56	25	6	62
BS206	30	3	66	30	6	72
BS207	35	3	76	35	6	82
BS208	40	3	86	40	6	88
BS209	45	3	90	45	6	93
BS210	50	3	96	50	6	98



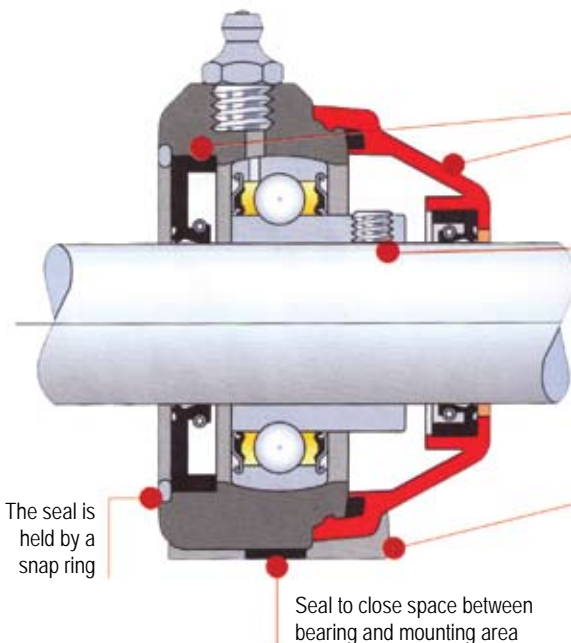
ASK FOR NATIONAL QUALITY

All pictures may differ from the final products.

Product availability and specifications are subject to change without notice.

WATERPROOF HOUSING

Thermoplastic Bearing Units - Waterproof Series



Waterproof housing

The waterproof sealing system protects the bearing from the external environment.

Special Characteristics

Corrosion resistant to food & liquid contaminants, frequent wash-downs.
Light weight housing.

Insert Bearings

Assembled with chrome steel or stainless steel insert bearings to meet your particular budget and performance needs.

The seal is held by a snap ring

Seal to close space between bearing and mounting area

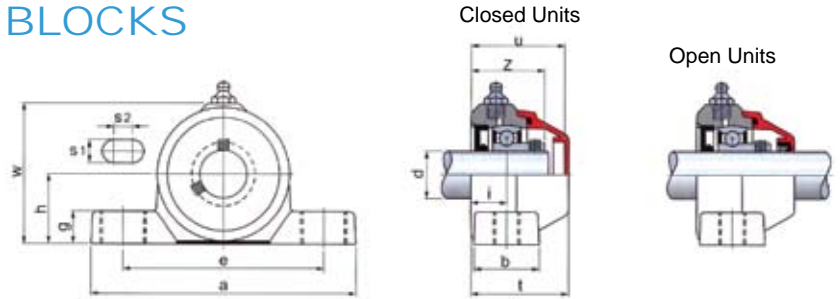
ASK FOR NATIONAL QUALITY

All pictures may differ from the final products.

Product availability and specifications are subject to change without notice.

WWW.NTL-BPT.COM

WATERPROOF PILLOW BLOCKS



WP-SSBP200G Series

Unit No.	Shaft Dia.	Dimensions (mm)											Weight kg	
	d (in)	a	e	h	w	S1	S2	g	b	i	Z	u		t
WP-SSBP204-12G	3/4	128	96	33.3	66.3	10	12	17	30	18.9	36.8	47.7	49.7	0.26
WP-SSBP204G	20mm													
WP-SSBP205-14G	7/8	140	106	36.5	74.3	10	12	17	34	18.8	37	49.5	51.5	0.33
WP-SSBP205-15G	15/16													
WP-SSBP205G	25mm													
WP-SSBP205-16G	1													
WP-SSBP206-18G	1-1/8	163	121	42.9	89.5	10	14	22	36	19.7	42	53	55	0.49
WP-SSBP206G	30mm													
WP-SSBP206-19G	1-3/16													
WP-SSBP206-20G	1-1/4S													
WP-SSBP207-20G	1-1/4	167	126	47.6	98	10	14	20	38.6	21.3	46.7	59	61	0.64
WP-SSBP207G	35mm													
WP-SSBP207-22G	1-3/8													
WP-SSBP207-23G	1-7/16													
WP-SSBP208-24G	1 1/2	185	136	50	102	14	10	20	38.6	25	50.3	64.5	66.5	0.86
WP-SSBP208G	40mm													

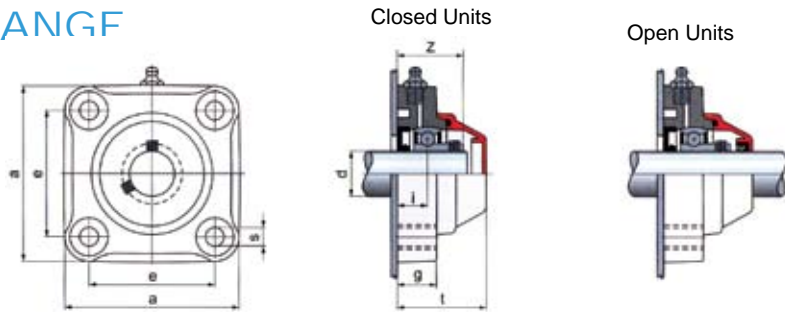
LOAD DIRECTION	BREAKING POINT OF HOUSING (N)				
	204	205	206	207	208
	6473	6290	5775	5817	6913
	6671	6681	6761	6811	6911
	2569	2621	2650	2790	3291

ASK FOR NATIONAL QUALITY

All pictures may differ from the final products.

Product availability and specifications are subject to change without notice.

WATERPROOF 4-BOLT FLANGF



WP-SSBF200G Series

Unit No.	Shaft Dia.	Dimensions (mm)							Weight kg
	d	a	e	s	g	l	z	t	
	(in)								
WP-SSBF204-12G	3/4	86	63.5	11	20	15	33.3	46	0.36
WP-SSBF204G	20mm								
WP-SSBF205-14G	7/8	98	70	11	22.5	16.8	36.6	49.5	0.38
WP-SSBF205-15G	15/16								
WP-SSBF205G	25mm								
WP-SSBF205-16G	1								
WP-SSBF206-18G	1-1/8	110	83	11	26	20	42.2	55	0.56
WP-SSBF206-19G	1-3/16								
WP-SSBF206G	30mm								
WP-SSBF206-20G	1-1/4S								
WP-SSBF207-20G	1-1/4	120	92	11	26	19.5	44.9	59	0.77
WP-SSBF207-22G	1-3/8								
WP-SSBF207G	35mm								
WP-SSBF207-23G	1-7/16								
WP-SSBF208-24G	1 1/2	131	102	11	30	22	52.2	65.5	0.99
WP-SSBF208G	40mm								

LOAD DIRECTION	BREAKING POINT OF HOUSING (N)				
	204	205	206	207	208
	17091	20142	20932	21690	22707
	8820	10350	16020	16560	16740
	2533	3329	3922	4100	4230

ASK FOR NATIONAL QUALITY

All pictures may differ from the final products.

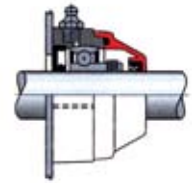
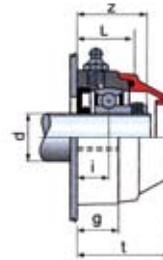
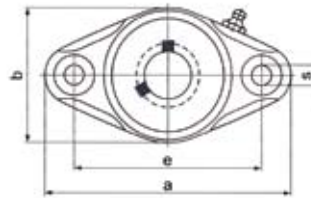
Product availability and specifications are subject to change without notice.



WATERPROOF 2-BOLT FLANGE

Closed Units

Open Units



WP-SSBFL200G Series

Unit No.	Shaft Dia.	Dimensions (mm)									Weight kg
	d (in)	a	e	b	s	g	L	i	Z	t	
WP-SSBFL204-12G	3/4	117	90	62	11	20	25	15.2	33.5	46	0.25
WP-SSBFL204G	20mm										
WP-SSBFL205-14G	7/8	131	99	71	11	22.5	27.5	16.8	36.3	49.5	0.33
WP-SSBFL205-15G	15/16										
WP-SSBFL205G	25mm										
WP-SSBFL205-16G	1										
WP-SSBFL206-18G	1-1/8	149	118	85	11	26	31.5	20	41	55	0.42
WP-SSBFL206G	30mm										
WP-SSBFL206-19G	1-3/16										
WP-SSBFL206-20G	1-1/4S										
WP-SSBFL207-20G	1-1/4	163	130	93	11	26	32	19.5	45	59	0.66
WP-SSBFL207G	35mm										
WP-SSBFL207-22G	1-3/8										
WP-SSBFL207-23G	1-7/16										
WP-SSBFL208-24G	1-1/2	177	144	102	11	30	36	23	52	65.5	0.92
WP-SSBFL208G	40mm										

LOAD DIRECTION	BREAKING POINT OF HOUSING (N)				
	204	205	206	207	208
	8756	8943	10132	10234	14000
	8733	15811	15823	16211	16233
	2384	3876	4001	4501	5079

ASK FOR NATIONAL QUALITY

All pictures may differ from the final products.

Product availability and specifications are subject to change without notice.

NATIONAL PRODUCTS LIMITED WARRANTY

NATIONAL, warrants its products against defects in design, material and workmanship for a period of 12 months from the date of sale.

NATIONAL, will replace free of charge any part of its products, which after inspection by NATIONAL is deemed a manufacturing defect.

This warranty does not apply to any product which has been subject to unauthorized modification, repair or alteration; an accident, improper operation or maintenance; abnormal conditions; or the wear from normal use.

NATIONAL, shall not be liable for loss of time, manufacturing costs, labour, transport, material, loss of profits, consequential damages, direct or indirect, because of defective products.

NATIONAL's responsibility will be limited to the repair or the replacement of the defective product or the reimbursement of the price paid at time of order.

Any warranty claim must be presented within 30 days of the manufacturing defect discovery. The shipping return charges will be at the expense of the customer.

NATIONAL

OEM Products

National imports world class Bearings and Power Transmission Products. With direct global sourcing and a network of 55 sales offices, National helps manufacturers become more productive and guarantees a personalized service.

- Wide product range.
- Products from ISO9001 and QS9001 certified manufacturers.
- Continuous product development.
- Custom fabrication.
- Dedicated and professional sales group.
- Coast to coast distribution network.
- No intermediary, buying direct from the manufacturers.

Applications

- Material Handling • Food Processing • Forestry • Industrial
- Agricultural • Mining • Aggregate

Only one number: 1-866-546-3267

Sales offices:

Eastern

Anjou	Ottawa
Bathurst	Port Hawkesbury
Charlottetown	Québec
Chicoutimi	Rimouski
Corner Brook	Sept-Iles
Dartmouth	Sherbrooke
Drummondville	Thetford Mines
Granby	Tracy
Lachine	Trois-Rivières
Longueuil	Val D'Or
Mt Pearl	Valleyfield
New Glasgow	Wabush
Noranda	

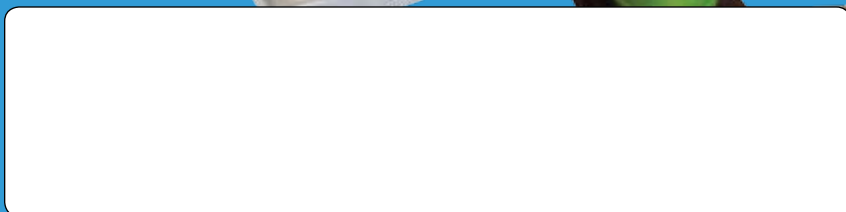
Central

Concord	Sarnia
Espanola	Sault Ste-Marie
Guelph	Stoney Creek
Hearst	Sudbury
Kapuskasing	Temiscaming
London	Thunder Bay
Marathon	Timmins
Mississauga	Windsor
North Bay	

Western

Calgary
Edmonton
Flin Flon
Nisku
Prince George
Regina
Saskatoon
Surrey
Thompson
Winnipeg
Yellowknife

Distributed by :



WWW.NITL-BPT.COM