

WWW.NTFL-BPT.COM

NATIONAL



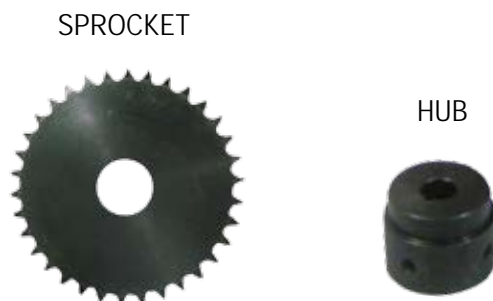
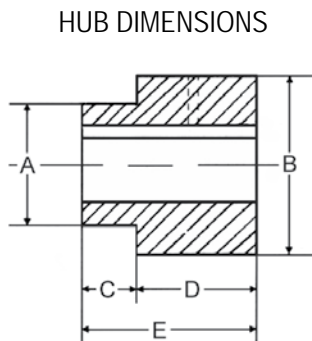
OEM Products

WELDON & IDLER SPROCKETS

WELD SPROCKETS AND HUBS

- *Round bore with keyway and two set screws.*
- *Induction hardened teeth.*
- *Pick the plate sprocket and finish bore hub you need.*
- *By welding, you make a B type finished bore sprocket.*
- *It's economic and saves time.*
- *Enables a reduced inventory as opposed to carrying finished bore sprockets.*

	HUB SERIES			
	V	W	X	Y
A	1-1/8	1-5/8	2	2-3/4
B	1-7/16	1-13/16	2-1/2	3-3/4
C	7/16	7/16	7/16	11/16
D	3/4	1	1	1-3/16
E	1-3/16	1-7/16	1-7/16	1-7/8



ASK FOR NATIONAL QUALITY

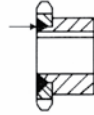
All pictures may differ from the final products.

Product availability and specifications are subject to change without notice.

WWW.NTL-BPT.COM

WELD FINISH SPROCKETS (ANSI)

The smaller sprockets are to be welded as shown as the weld will not interfere with the chain.



The larger sprockets are to be welded as shown.



All hardened teeth



- V SERIES = 1-1/8"
- W SERIES = 1-5/8"
- X SERIES = 2"
- XX SERIES = 2"
- Y SERIES = 2-3/4"

NO. OF TEETH	ANSI-35	ANSI-40	ANSI-50	ANSI-60	ANSI-80
	PITCH				
	3/8"	1/2"	5/8"	3/4"	1"
9				H60V9	H80W9
10			H50V10	H60V10	H80W10
11			H50V11	H60V11	H80W11
12		H40V12	H50W12	H60W12	H80X12
13		H40V13	H50W13	H60W13	H80X13
14		H40V14	H50W14	H60W14	H80X14
15	H35V15	H40V15	H50W15	H60W15	H80X15
16	H35V16	H40W16	H50W16	H60X16	H80X16
17	H35V17	H40W17	H50X17	H60X17	H80X17
18	H35V18	H40W18	H50X18	H60X18	H80X18
19	H35V19	H40W19	H50X19	H60X19	H80X19
20	H35V20	H40X20	H50X20	H60X20	H80X20
21	H35V21	H40X21	H50X21	H60X21	H80X21
22	H35W22	H40X22	H50X22	H60X22	H80X22
23	H35W23	H40X23	H50X23	H60X23	H80X23
24	H35W24	H40X24	H50X24	H60X24	H80X24

ASK FOR NATIONAL QUALITY

All pictures may differ from the final products.

Product availability and specifications are subject to change without notice.

WELD FINISH SPROCKETS (ANSI) *(Cont'd)*

NO. OF TEETH	ANSI-35	ANSI-40	ANSI-50	ANSI-60	ANSI-80
	PITCH				
	3/8"	1/2"	5/8"	3/4"	1"
25	H35W25	H40X25	H50X25	H60X25	H80X25
26	H35W26	H40X26	H50X26	H60X26	H80X26
27	H35W27	H40X27	H50X27	H60X27	H80X27
28	H35W28	H40X28	H50X28	H60X28	H80X28
29	H35W29	H40X29	H50X29	H60X29	H80X29
30	H35W30	H40X30	H50X30	H60X30	H80X30
31	H35W31	H40X31	H50X31	H60X31	
32	H35W32	H40X32	H50X32	H60X32	H80X32
33	H35W33	H40X33	H50X33	H60X33	H80X33
34	H35W34	H40X34	H50X34	H60X34	H80X34
35	H35W35	H40X35	H50X35	H60X35	H80X35
36	H35W36	H40X36	H50X36	H60X36	H80X36
37	H35W37	H40X37	H50X37	H60X37	
38	H35W38	H40X38	H50X38	H60X38	
39	H35W39	H40X39	H50X39	H60X39	
40	H35W40	H40X40	H50X40	H60X40	H80X40
42	H35W42	H40X42	H50X42	H60X42	
43	H35W43	H40X43	H50X43	H60X43	
44	H35W44	H40X44	H50X44	H60X44	
45	H35W45	H40X45	H50X45	H60X45	H80X45
48	H35W48	H40X48	H50X48	H60X48	H80X48
50	H35W50	H40X50	H50X50	H60X50	
54	H35W54	H40X54	H50X54	H60X54	H80X54
60	H35W60	H40X60	H50X60	H60X60	H80X60
70	H35W70	H40X70	H50X70	H60X70	
72	H35W72	H40X72	H50X72	H60X72	
80	H35W80	H40X80	H50X80	H60X80	
84	H35W84	H40X84	H50X84	H60X84	
96	H35W96		H50X96	H60X96	

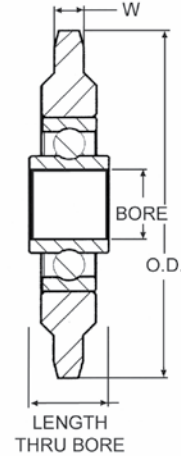
ASK FOR NATIONAL QUALITY

All pictures may differ from the final products.

Product availability and specifications are subject to change without notice.



IDLER SPROCKETS BALL BEARING TYPE



Ball Bearing Idler Sprocket - Hardened Teeth

NO. TEETH	PART NUMBER	CHAIN SIZE	OD	BORE	LENGTH THRU BORE	W	WT. LBS	BEARING
18	35BB18H 1/2	35	2.35	0.510	0.72	0.168	0.35	203KRR5
19	35BB19H 1/2	35	2.47	0.510	0.72	0.168	0.35	203KRR5
20	35BB20H 5/8	35	2.59	0.638	0.72	0.168	0.38	203KRR2
17	40BB17H 5/8	40	2.97	0.638	0.72	0.284	0.52	203KRR2
17	40BB17H 1/2	40	2.97	0.510	0.72	0.284	0.52	203KRR5
18	40BB18H 1/2	40	3.14	0.510	0.72	0.284	0.53	203KRR5
18	40BB18H 5/8	40	3.14	0.638	0.72	0.284	0.53	203KRR2
15	50BB15H 5/8	50	3.32	0.638	0.72	0.343	0.75	203KRR2
17	50BB17H 5/8	50	3.72	0.638	0.72	0.343	0.78	203KRR2
17	50BB17H 1/2	50	3.72	0.510	0.72	0.343	0.78	203KRR5
13	60BB13H 5/8	60	3.49	0.638	0.72	0.459	0.76	203KRR2
15	60BB15H 5/8	60	3.98	0.638	0.72	0.459	1.06	203KRR2
15	60BB15H 1/2	60	3.98	0.510	0.72	0.459	1.06	203KRR5
17	60BB17H 5/8	60	4.46	0.638	0.72	0.459	1.10	203KRR2
12	80BB12H 3/4	80	4.33	0.750	0.61	0.575	1.50	204KRR2

Induction hardened teeth with a black oxide finish,
double sealed and pre-lubricated precision ball bearing to ensure long and trouble free service.

ASK FOR NATIONAL QUALITY

All pictures may differ from the final products.

Product availability and specifications are subject to change without notice.

NATIONAL PRODUCTS LIMITED WARRANTY

NATIONAL, warrants its products against defects in design, material and workmanship for a period of 12 months from the date of sale.

NATIONAL, will replace free of charge any part of its products, which after inspection by NATIONAL is deemed a manufacturing defect.

This warranty does not apply to any product which has been subject to unauthorized modification, repair or alteration; an accident, improper operation or maintenance; abnormal conditions; or the wear from normal use.

NATIONAL, shall not be liable for loss of time, manufacturing costs, labour, transport, material, loss of profits, consequential damages, direct or indirect, because of defective products.

NATIONAL's responsibility will be limited to the repair or the replacement of the defective product or the reimbursement of the price paid at time of order.

Any warranty claim must be presented within 30 days of the manufacturing defect discovery. The shipping return charges will be at the expense of the customer.

NATIONAL

OEM Products

National imports world class Bearings and Power Transmission Products. With direct global sourcing and a network of 55 sales offices, National helps manufacturers become more productive and guarantees a personalized service.

- Wide product range.
- Products from ISO9001 and QS9001 certified manufacturers.
- Continuous product development.
- Custom fabrication.
- Dedicated and professional sales group.
- Coast to coast distribution network.
- No intermediary, buying direct from the manufacturers.

Applications

- Material Handling • Food Processing • Forestry • Industrial
- Agricultural • Mining • Aggregate

Only one number: 1-866-546-3267

Sales offices:

Eastern

Anjou	Ottawa
Bathurst	Port Hawkesbury
Charlottetown	Québec
Chicoutimi	Rimouski
Corner Brook	Sept-Iles
Dartmouth	Sherbrooke
Drummondville	Thetford Mines
Granby	Tracy
Lachine	Trois-Rivières
Longueuil	Val D'Or
Mt Pearl	Valleyfield
New Glasgow	Wabush
Noranda	

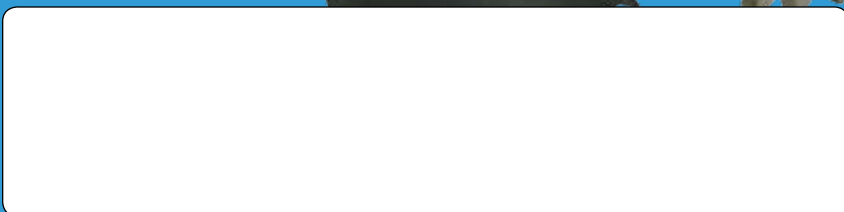
Central

Concord	Sarnia
Espanola	Sault Ste-Marie
Guelph	Stoney Creek
Hearst	Sudbury
Kapuskasing	Temiscaming
London	Thunder Bay
Marathon	Timmins
Mississauga	Windsor
North Bay	

Western

Calgary
Edmonton
Flin Flon
Nisku
Prince George
Regina
Saskatoon
Surrey
Thompson
Winnipeg
Yellowknife

Distributed by :



WWW.NITL-BPT.COM